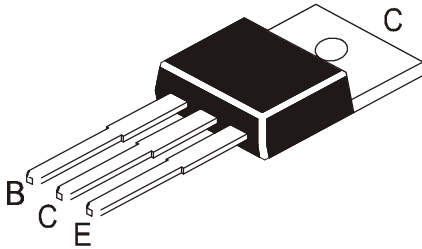


PLASTIC POWER TRANSISTORS



| | |
|--------|--------|
| TIP120 | TIP125 |
| TIP121 | TIP126 |
| TIP122 | TIP127 |
| NPN | PNP |

TO-220
Plastic Package

High Power Switching, Hammer Drive, Pulse Motor Drive and Inductive Load Drive Applications

ABSOLUTE MAXIMUM RATINGS

| DESCRIPTION | | TIP120/125 | TIP121/126 | TIP122/127 | UNIT |
|--|----------------|--------------|------------|------------|----------------------|
| Collector Emitter Voltage | V_{CEO} | 60 | 80 | 100 | V |
| Collector Base Voltage | V_{CBO} | 60 | 80 | 100 | V |
| Emitter Base Voltage | V_{EBO} | 5 | | | V |
| Collector Current Continuous | I_C | 5 | | | A |
| Collector Current Peak | I_{CM} | 8 | | | A |
| Base Current | I_B | 120 | | | mA |
| Power Dissipation upto $T_c=25^\circ\text{C}$ Derate above 25°C | P_D | 65 | | | W |
| Power Dissipation upto $T_a=25^\circ\text{C}$ Derate above 25°C | P_D | 0.52 | | | W/ $^\circ\text{C}$ |
| Power Dissipation upto $T_a=25^\circ\text{C}$ Derate above 25°C | P_D | 2 | | | W |
| Unclamped Inductive Load Energy | *E | 16 | | | mW/ $^\circ\text{C}$ |
| Operating And Storage Junction Temperature | T_j, T_{stg} | 50 | | | mJ |
| | | - 65 to +150 | | | $^\circ\text{C}$ |

* $I_C=1\text{A}$, $L=100\text{mH}$, $\text{P.R.F.}=10\text{Hz}$, $V_{CC}=20\text{V}$, $R_{BE}=100\text{W}$

THERMAL RESISTANCE

| | | | |
|---------------------------------|---------------|------|--------------------|
| Junction to Case | $R_{th(j-c)}$ | 1.92 | $^\circ\text{C/W}$ |
| Junction to Ambient in free air | $R_{th(j-a)}$ | 62.5 | $^\circ\text{C/W}$ |

ELECTRICAL CHARACTERISTICS ($T_c=25^\circ\text{C}$ unless specified otherwise)

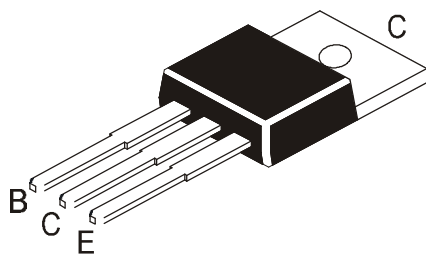
| DESCRIPTION | SYMBOL | TEST CONDITION | TIP120/125 | | TIP121/126 | | TIP122/127 | | UNIT |
|---|------------------|--|--------------|------------|--------------|------------|--------------|------------|----------------|
| | | | MIN | MAX | MIN | MAX | MIN | MAX | |
| Collector Emitter (sus) Voltage | * $V_{CEO(sus)}$ | $I_C=100\text{mA}$, $I_B=0$ | 60 | | 80 | | 100 | | V |
| Collector Cut Off Current | I_{CEO} | $V_{CE}=50\text{V}$, $I_B=0$ $V_{CE}=40\text{V}$, $I_B=0$ $V_{CE}=30\text{V}$, $I_B=0$ | | 0.5 | | 0.5 | | 0.5 | mA mA mA |
| Collector Cut Off Current | I_{CBO} | $V_{CB}=100\text{V}$, $I_E=0$ $V_{CB}=80\text{V}$, $I_E=0$ $V_{CB}=60\text{V}$, $I_E=0$ | | 0.2 | | 0.2 | | 0.2 | mA mA mA |
| Emitter Cut Off Current | I_{EBO} | $V_{EB}=5\text{V}$, $I_C=0$ | | 2.0 | | 2.0 | | 2.0 | mA |
| DC Current Gain | * h_{FE} | $I_C=0.5\text{A}$, $V_{CE}=3\text{V}$ $I_C=3\text{A}$, $V_{CE}=3\text{V}$ | 1000 1000 | | 1000 1000 | | 1000 1000 | | |
| Collector Emitter Saturation Voltage | * $V_{CE(sat)}$ | $I_C=3\text{A}$, $I_B=12\text{mA}$ $I_C=5\text{A}$, $I_B=20\text{mA}$ | | 2.0 4.0 | | 2.0 4.0 | | 2.0 4.0 | V V |
| Base Emitter On Voltage | * $V_{BE(on)}$ | $I_C=3\text{A}$, $V_{CE}=3\text{V}$ | | 2.5 | | 2.5 | | 2.5 | V |

*Pulse Test : Pulse width $\leq 300\text{ms}$, Duty Cycle $\leq 2\%$

PLASTIC POWER TRANSISTORS

| | |
|--------|--------|
| TIP120 | TIP125 |
| TIP121 | TIP126 |
| TIP122 | TIP127 |
| NPN | PNP |

**TO-220
Plastic Package**



ELECTRICAL CHARACTERISTICS ($T_C=25^{\circ}\text{C}$ unless specified otherwise)

DYNAMIC CHARACTERISTIC

| DESCRIPTION | SYMBOL | TEST CONDITION | MIN | TYP | MAX | UNIT |
|---------------------------|----------|---|-----|-----|------------|----------|
| Small Signal Current Gain | h_{fe} | $I_C=3\text{A}, V_{CE}=4\text{V}, f=1\text{MHz}$ | 4 | | | |
| Output Capacitance | C_{ob} | $V_{CB}=10\text{V}, I_E=0, f=0.1\text{MHz}$ TIP125,126,127 TIP120,121,122 | | | 300 200 | pF pF |

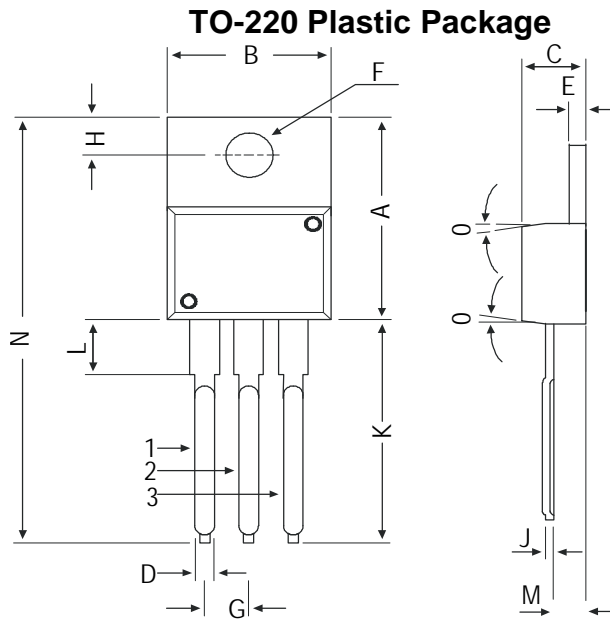
SWITCHING CHARACTERISTICS

| DESCRIPTION | SYMBOL | TEST CONDITION | MIN | TYP | MAX | UNIT |
|---------------|-----------|--|-----|-----|-----|---------------|
| Turn on time | t_{on} | $I_C=3\text{A}, R_L=10\Omega$ $I_{B1}=I_{B2}=12\text{mA}$ | | 0.4 | | μs |
| Turn off time | t_{off} | $V_{EB(off)}=5\text{V}$ | | 1.2 | | μs |

TIP120
TIP121
TIP122
NPN

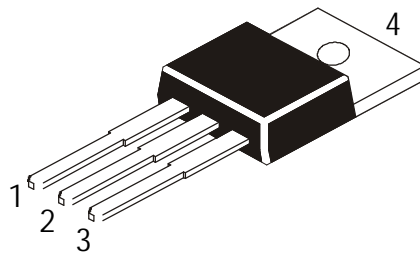
TIP125
TIP126
TIP127
PNP

**TO-220
Plastic Package**



| DIM | MIN | MAX |
|-----|-------|-------|
| A | 14.42 | 16.51 |
| B | 9.63 | 10.67 |
| C | 3.56 | 4.83 |
| D | — | 0.90 |
| E | 1.15 | 1.40 |
| F | 3.75 | 3.88 |
| G | 2.29 | 2.79 |
| H | 2.54 | 3.43 |
| J | — | 0.56 |
| K | 12.70 | 14.73 |
| L | 2.80 | 4.07 |
| M | 2.03 | 2.92 |
| N | — | 31.24 |
| O | 7 DEG | |

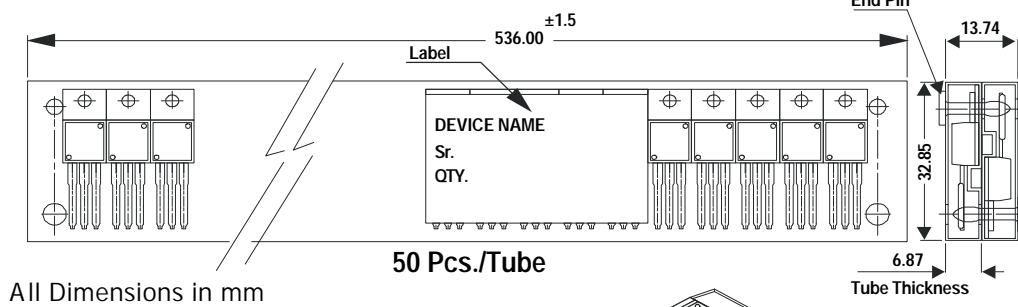
All diminsions in mm.



Pin Configuration

1. Base
2. Collector
3. Emitter
4. Collector

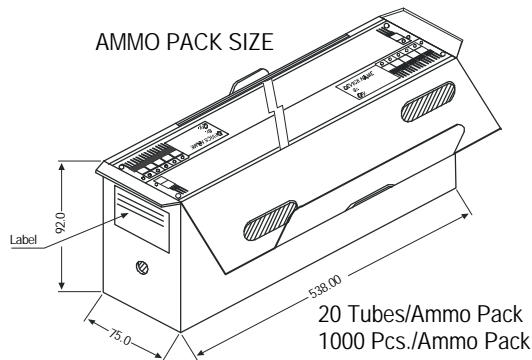
TO-220 Tube Packing



All Dimensions in mm

50 Pcs./Tube

AMMO PACK SIZE



Packing Detail

| PACKAGE | STANDARD PACK | | INNER CARTON BOX | | OUTER CARTON BOX | | |
|------------|-----------------|----------------|---------------------|------|-------------------|-------|--------|
| | Details | Net Weight/Qty | Size | Qty | Size | Qty | Gr Wt |
| TO-220 /FP | 200 pcs/polybag | 396 gm/200 pcs | 3" x 7.5" x 7.5" | 1.0K | 17" x 15" x 13.5" | 16.0K | 36 kgs |
| | 50 pcs/tube | 120 gm/50 pcs | 3.5" x 3.7" x 21.5" | 1.0K | 19" x 19" x 19" | 10.0K | 29 kgs |

Disclaimer

The product information and the selection guides facilitate selection of the CDIL's Discrete Semiconductor Device(s) best suited for application in your product(s) as per your requirement. It is recommended that you completely review our Data Sheet(s) so as to confirm that the Device(s) meet functionality parameters for your application. The information furnished in the Data Sheet and on the CDIL Web Site/CD are believed to be accurate and reliable. CDIL however, does not assume responsibility for inaccuracies or incomplete information. Furthermore, CDIL does not assume liability whatsoever, arising out of the application or use of any CDIL product; neither does it convey any license under its patent rights nor rights of others. These products are not designed for use in life saving/support appliances or systems. CDIL customers selling these products (either as individual Discrete Semiconductor Devices or incorporated in their end products), in any life saving/support appliances or systems or applications do so at their own risk and CDIL will not be responsible for any damages resulting from such sale(s).

CDIL strives for continuous improvement and reserves the right to change the specifications of its products without prior notice.



CDIL is a registered Trademark of
Continental Device India Limited

C-120 Naraina Industrial Area, New Delhi 110 028, India.
Telephone + 91-11-2579 6150, 5141 1112 Fax + 91-11-2579 5290, 5141 1119
email@cdil.com www.cdilsemi.com